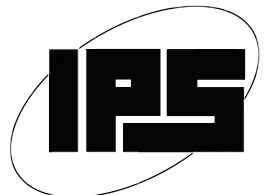
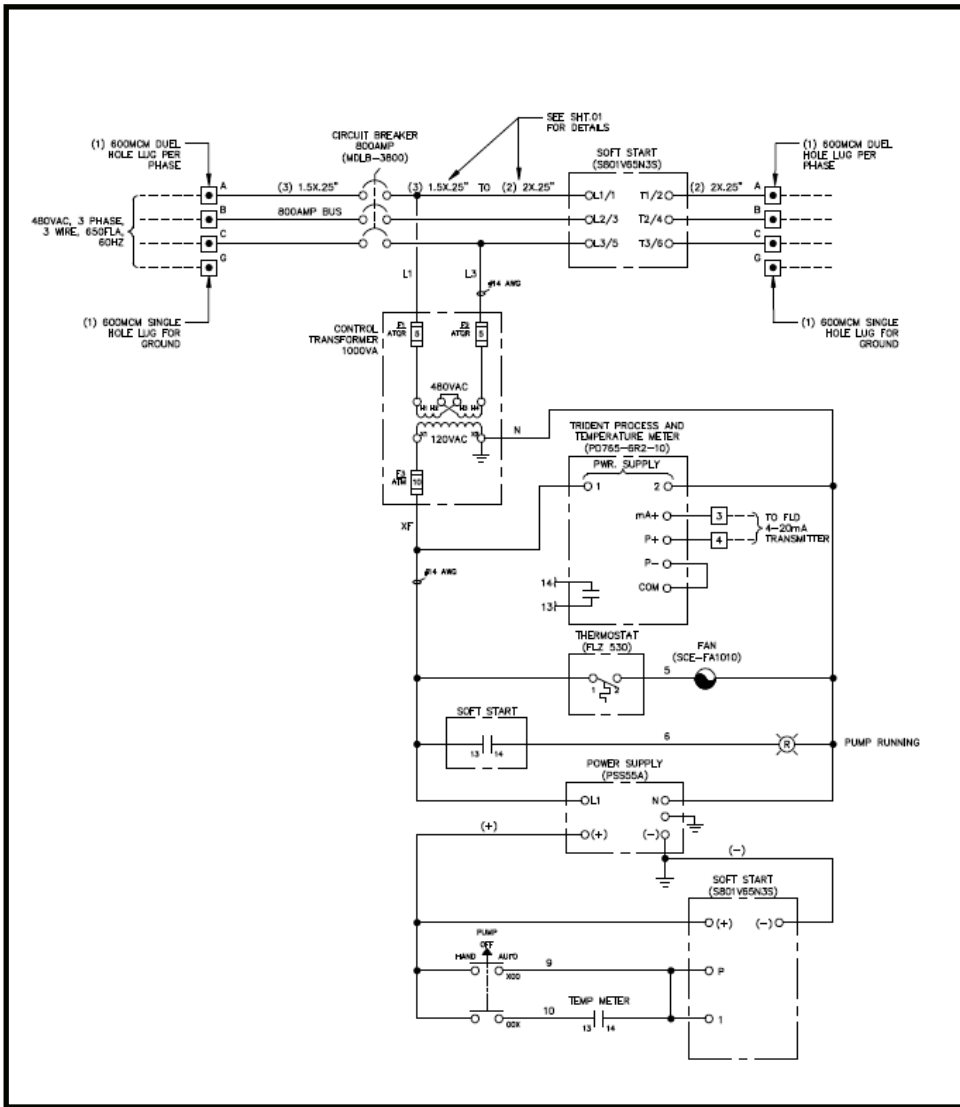


Emergency Lift Station Control Panel for Utility UL 508A Listed

Industrial Power Systems, Inc.
3010 Powers Ave
Jacksonville, Florida 32207
904-731-8844
sales@ipsjax.com





Control panel components shall consist of:

- Type 304 stainless steel enclosure with drip shield and back panel
- Incoming main circuit breaker with Digitrip 310A
- 650A soft starter
- Control transformer
- Power supply
- H-O-A switch
- Run indication lamp
- Panel Meter
- Hat section to allow main breaker handle to penetrate the dead front
- Dead front door and mounting hardware
- Set of bus line & load lug connectors
- Miscellaneous mounting hardware, terminal blocks, nameplates
- All required Engineering services to complete and document the correct design & operating control logic
- All required Drafting services to provide a complete set of as – built drawings (4 Sets)
- All required Testing labor to completely test control panel for correct operation